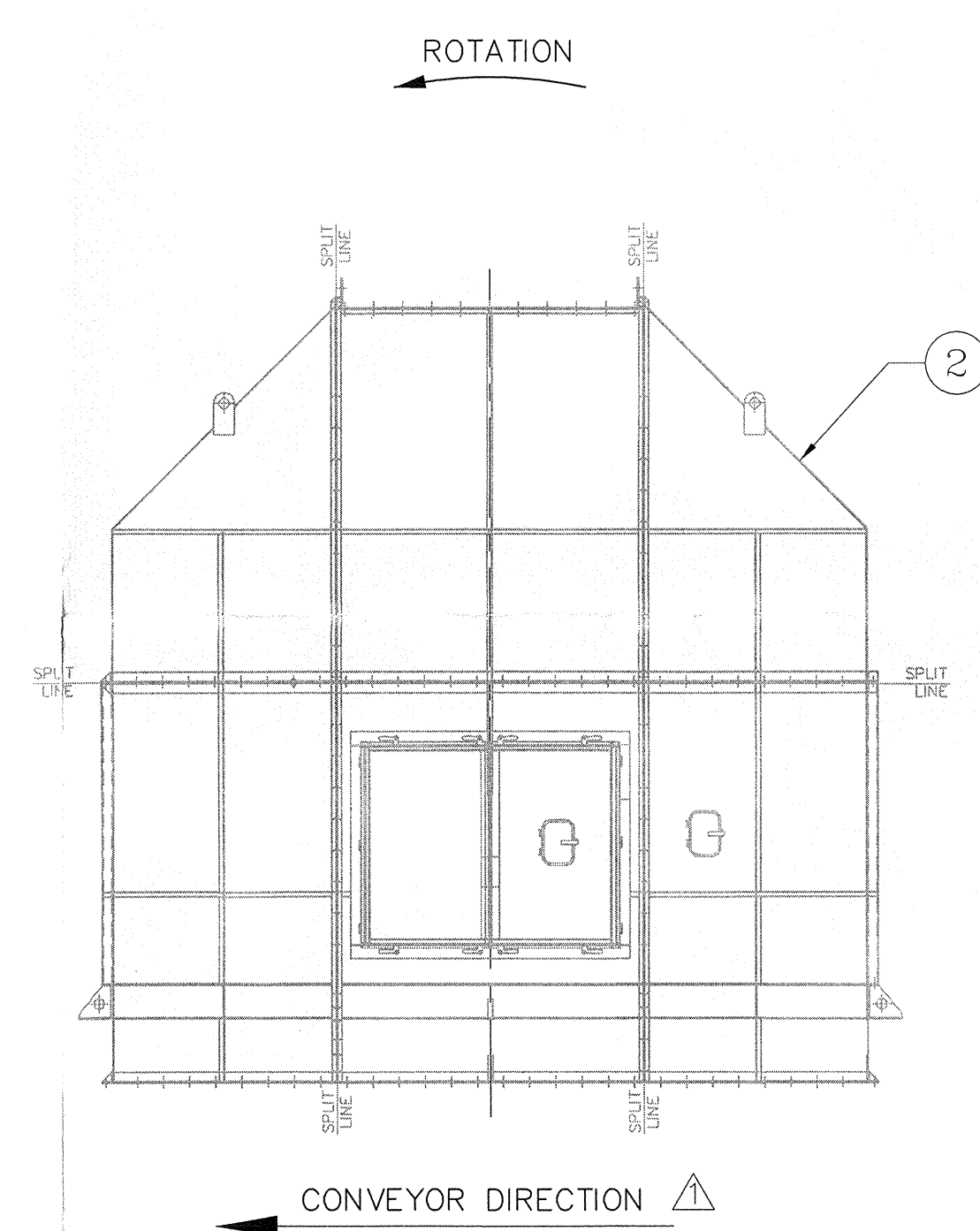
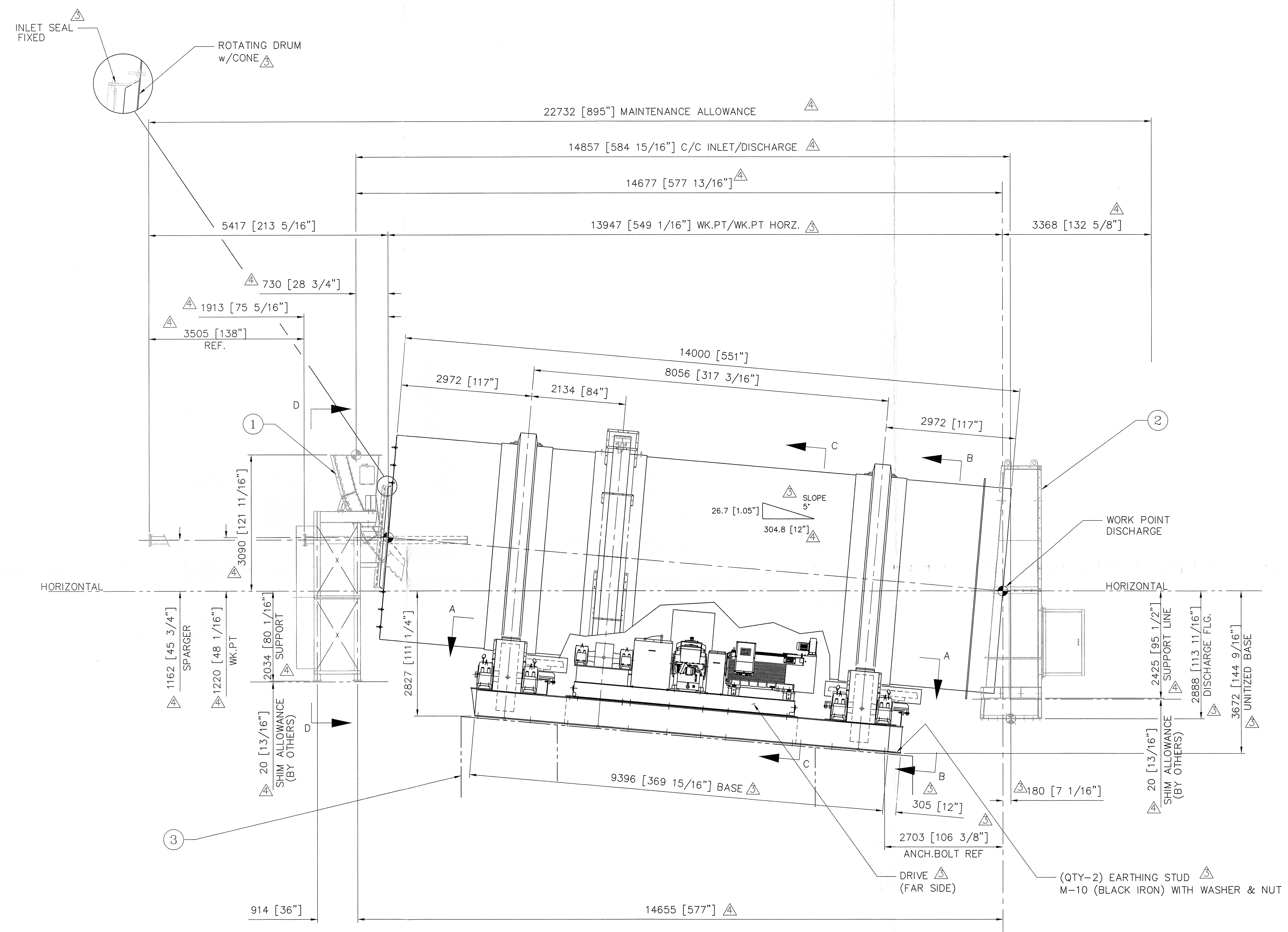


PARTS LIST

BOM NO.	QTY	MATERIAL DESCRIPTION	ITEM NUMBER
1	1	GENERAL ARRANGEMENT INLET BREECHING	1142893
2	1	GENERAL ARRANGEMENT DISCHARGE BREECHING	1142894
3	1	FOUNDATION DRAWING - UNITIZED BASE	1142941

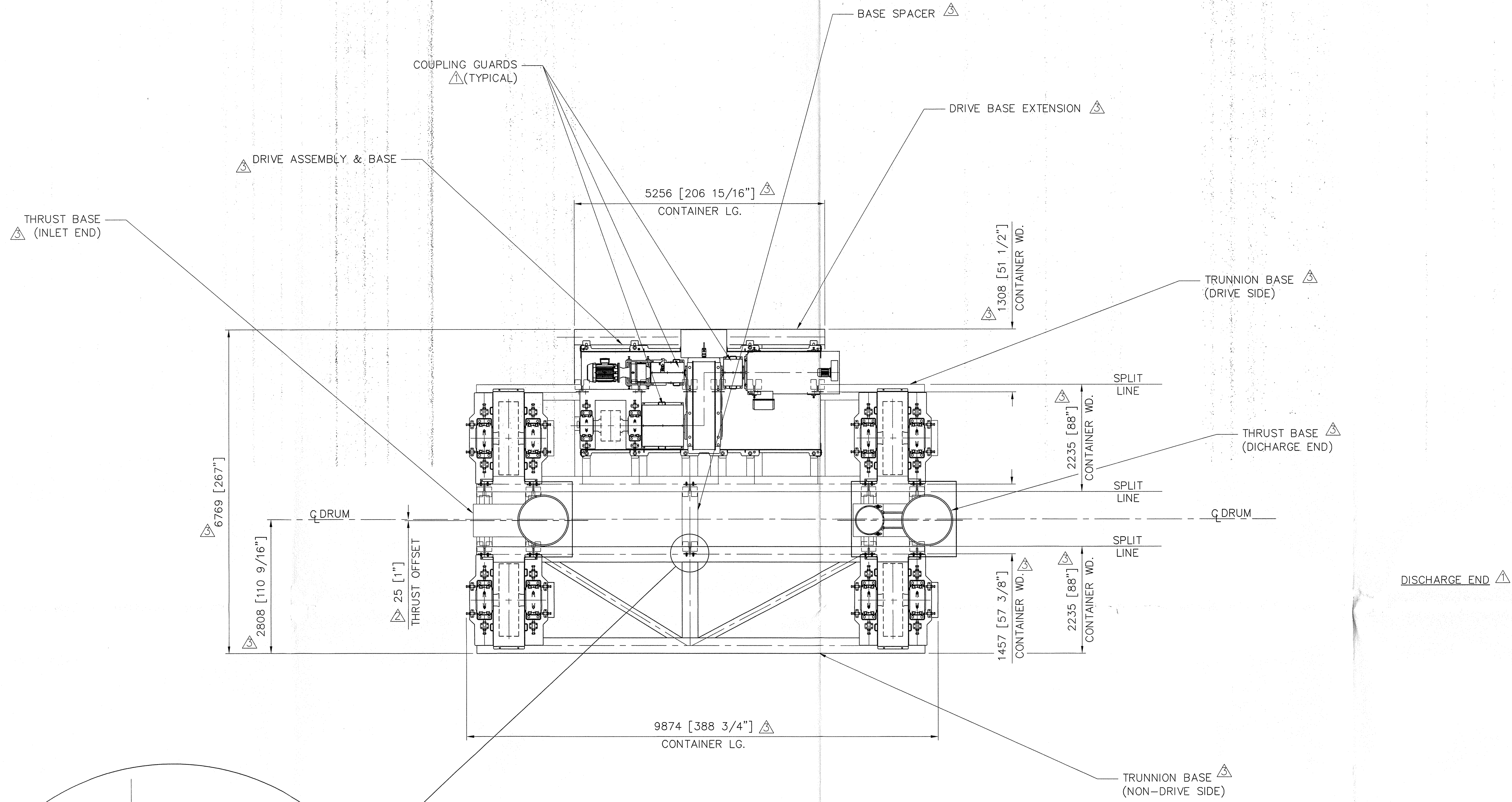


REV	DATE	DESCRIPTION	BY	APPRV
4	10/13/10	FEECO 10/13/10	W	
3	9/30/10	DELETE PIVOT BASE & FIX AT 5 DEGREES-DELETE ACCESS PLATFORM & JACK SYSTEM	W	
2	5/28/10	REVISE AND RESUBMIT FOR PIVOT DESIGN	W	mm
1	3/10/10	REVISED AND RE-SUBMIT	W	
0	05/10/10	SUBMITTED CERTIFIED	W	

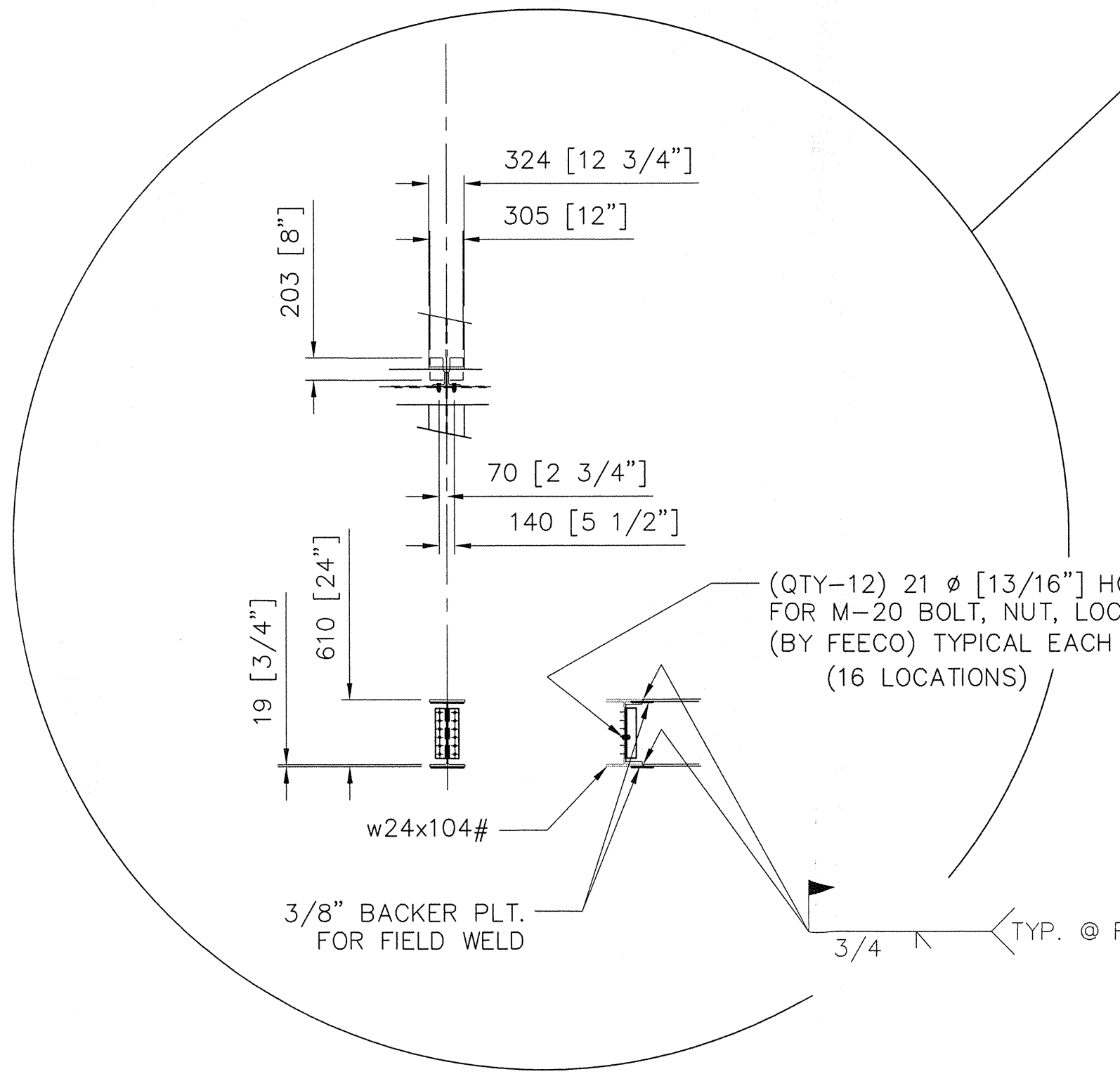
USED ON: 2725/8199-001

DRAWN	DATE		GREEN BAY, WISCONSIN, U.S.A. (920)469-5100 FAX: 469-5110 (800)373-9347
W	01/07/10		
CHECKED	DATE	TITLE	
mm	2/10/10	GENERAL ARRANGEMENT ROTARY AGGLOMERATOR 4.6 m ID. X 14 m LG.	
ENGINEER	DATE		
BL	2/9/10		
RELEASED	DATE	WEIGHTS (U.S. POUNDS)	DWG. NO. 1142672.B42D
		RAW MATERIAL 0.00	ASSEMBLY 0.00
ORDER: QTY()	THIRD ANGLE PROJECTION	SCALE: 1/4"=1'	
JOB NO.:		SHEET 1 OF 3	

884631

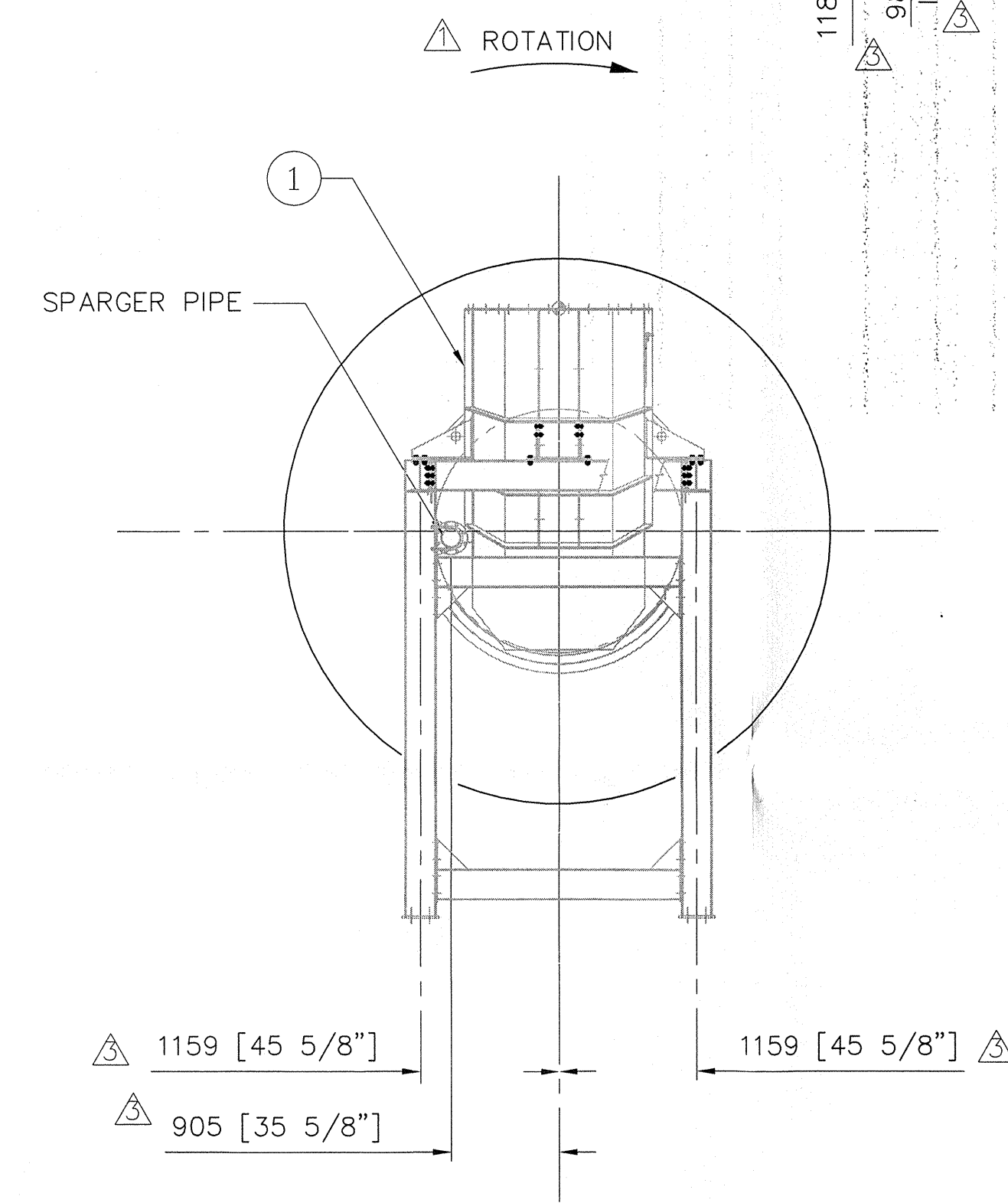
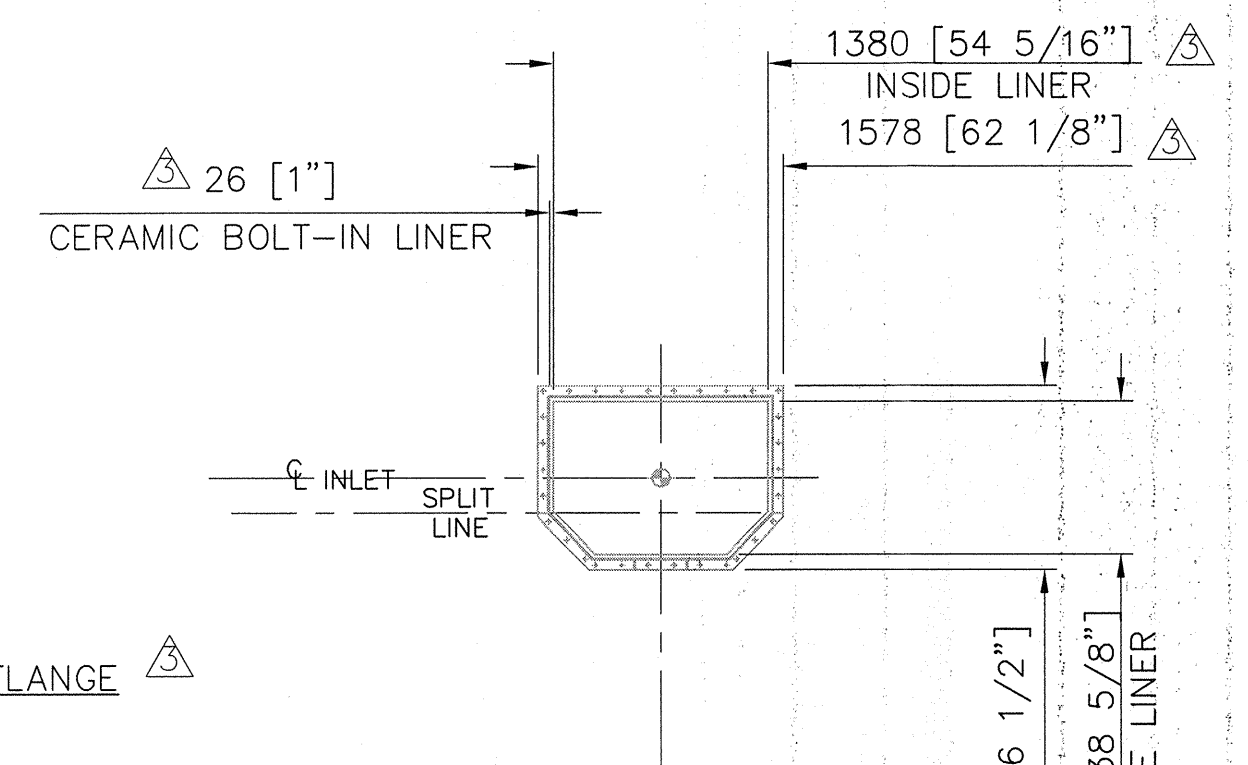


SECTION A - A

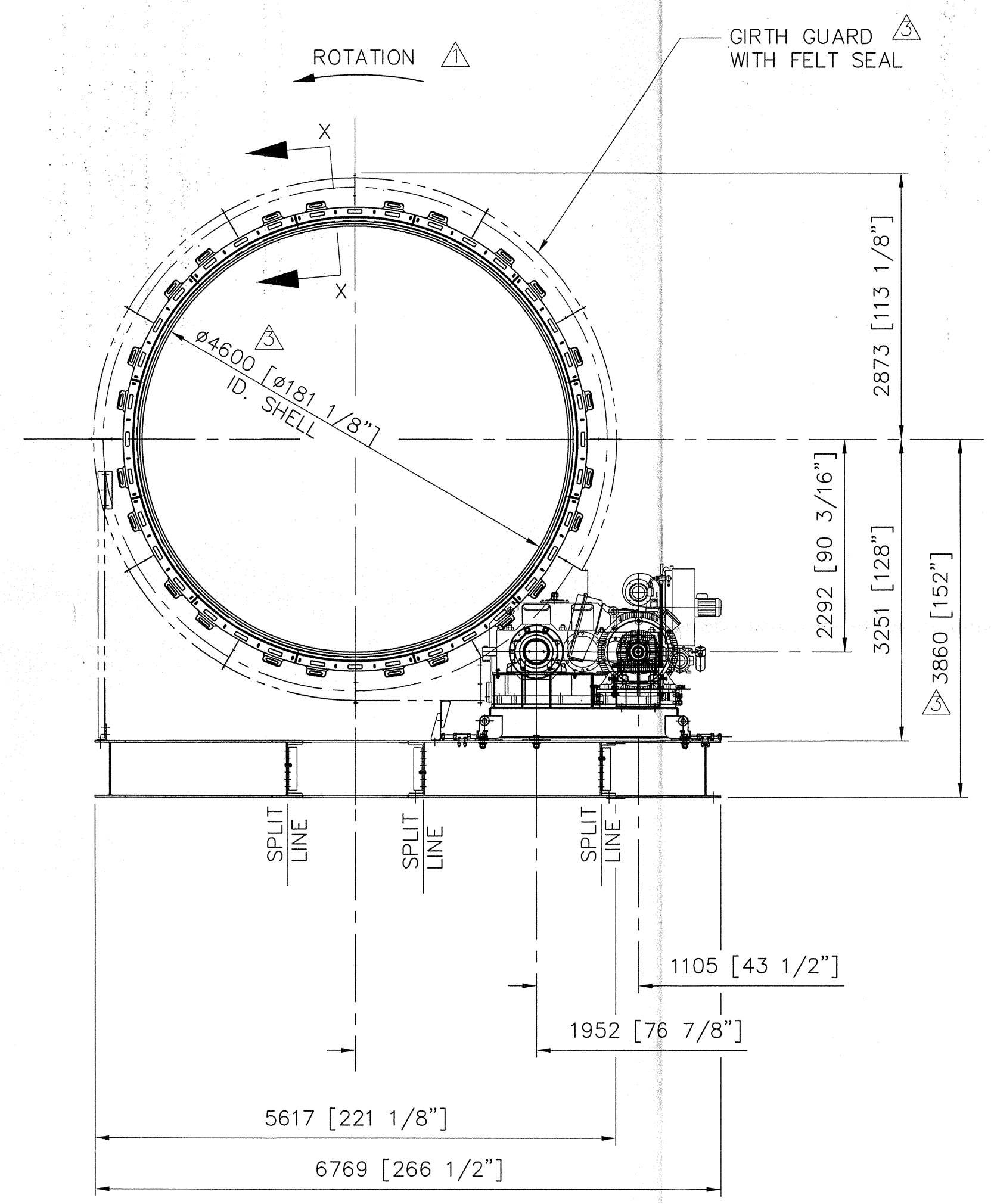
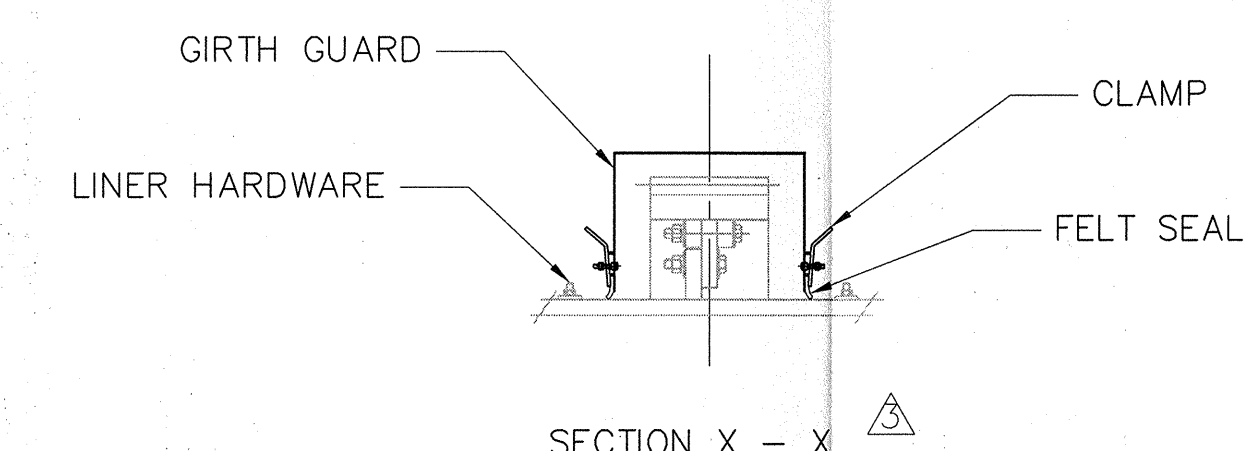


FIELD SPLIT LINE CONNECTION

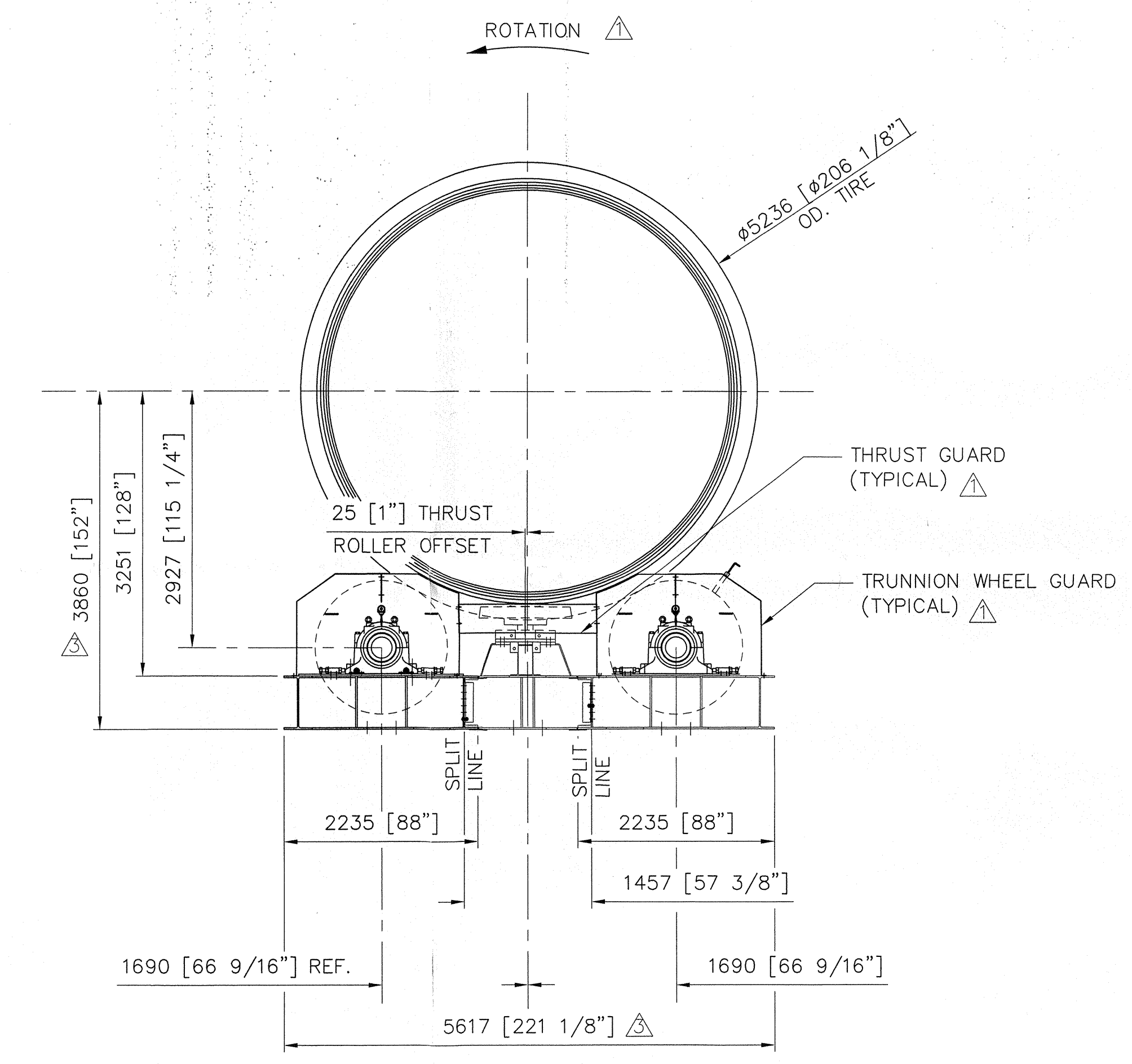
ORDER: QTY()		THIRD ANGLE PROJECTION		USED ON: 2725/8199-001	
JOB NO.:		<small>UNLESS OTHERWISE SPECIFIED DIMENSIONS ARE IN INCHES. THE FOLLOWING TOLERANCES APPLY</small> DECIMAL DIMENSIONS - .XX ±.1" FRACTIONAL DIMENSIONS - XXXX ±.03" ANGULAR DIMENSIONS - X.XXX ±.010° <small>INTERPRET DIM AND TOL PER ASME Y14.5M - 1994</small>	DRAWN W 01/07/10	DATE DATE	FEECO INTERNATIONAL <small>GREEN BAY, WISCONSIN, U.S.A. (920)469-5100 FAX: 469-5110 (800)373-9347</small>
		<small>THIS DRAWING AND THE INFORMATION CONTAINED HEREIN IS SUBMITTED CONFIDENTIALLY AND IS THE PROPERTY OF FEECO INTERNATIONAL. USE, REPRODUCTION OR DISCLOSURE OF THE CONTENT OF THIS DRAWING (OR ANY PORTION THEREOF) FOR ANY PURPOSE MUST BE APPROVED IN WRITING BY FEECO INTERNATIONAL.</small>	CHECKED DATE	ENGINEER DATE	
			RELEASED DATE	WEIGHTS (U.S. POUNDS) RAW MATERIAL ASSEMBLY	DWG. NO. 1142672.B42D SCALE: 1/4"=1' SHEET 2 OF 3



SECTION D - D △



SECTION C - C △



SECTION B - B △

ORDER: QTY()		THIRD ANGLE PROJECTION		USED ON: 2725/8199-001	
JOB NO.:		<small>UNLESS OTHERWISE SPECIFIED DIMENSIONS ARE IN INCHES. THE FOLLOWING TOLERANCES APPLY</small> DECIMAL DIMENSIONS - .XX ±.1" DECIMAL DIMENSIONS - .XXX ±.05" FRACTIONAL DIMENSIONS - X/XXX ±.010" FRACTIONAL DIMENSIONS - X/16" ±.015" ANGULAR DIMENSIONS - ±.25° <small>INTERPRET DIM AND TOL PER ASME Y14.5M - 1994</small>	DRAWN W 01/07/10	DATE 01/07/10	FEECO INTERNATIONAL GREEN BAY, WISCONSIN, U.S.A. (920)469-5100 FAX: 469-5110 (800)373-9347
		CHECKED ENGINEER RELEASED	DATE DATE DATE	TITLE GENERAL ARRANGEMENT ROTARY AGGLOMERATOR 4.6 m ID. X 14 m LG.	DWG. NO. 1142672.B42D SCALE: 1/4"=1" SHEET 3 OF 3
				WEIGHTS (U.S. POUNDS) RAW MATERIAL ASSEMBLY	REV: 4